

planika
NEW SENSE OF FIRE

Planika Fire
PF-01
Manual



TABLE OF CONTENTS

| | |
|--------------------------------|----|
| 1. Product's description | 2 |
| a. General characteristics | 2 |
| b. Planika and the Environment | 2 |
| c. Material specification | 3 |
| d. Overall Dimensions | 3 |
| 2. Safety | 4 |
| 3. Installation | 6 |
| 4. Operating Instructions | 13 |
| 5. Cleaning and maintenance | 15 |
| 6. Additional information | 15 |
| a. Technical data | 15 |
| b. Utilization and recycling | 15 |

The Manual must be read carefully BEFORE attempting to use or install this unit

1. Product's description

a. General characteristics

The Planika Fire PF-01 is a system for individual design. It has been designed to arrange places where there is no possibility to install a traditional fire.

The Planika Fire PF-01 is made of stainless steel and aluminium. Our product is supplied with the container for approximately 2 liters of FANOLA® liquid.

Within the home, the Planika Fire is designed to create a cosy, intimate atmosphere.

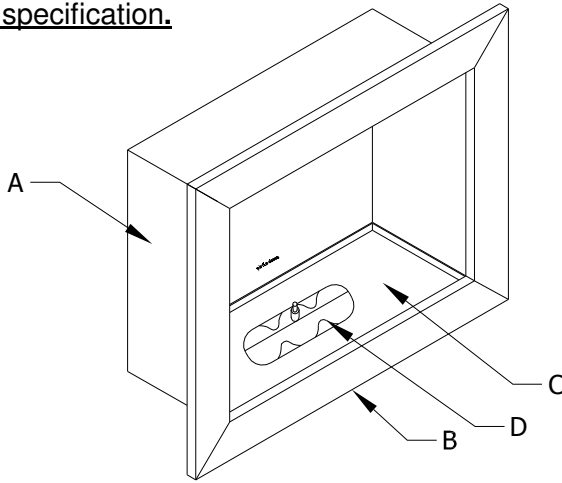
b. Planika and the Environment

The Planika Fire PF-01 requires no flue installation. It can be used in any environment having adequate natural ventilation and a proper capacity. No flue also means all the heat remains within the room.

Thanks to the use of alcohol based, ecological liquid, the operation of PF-01 means clean, emission free and environmentally friendly usage. There are no combustion residues, such as ash or soot, to clean or remove.

The PF-01 is purely decorative. It is not a heating appliance.

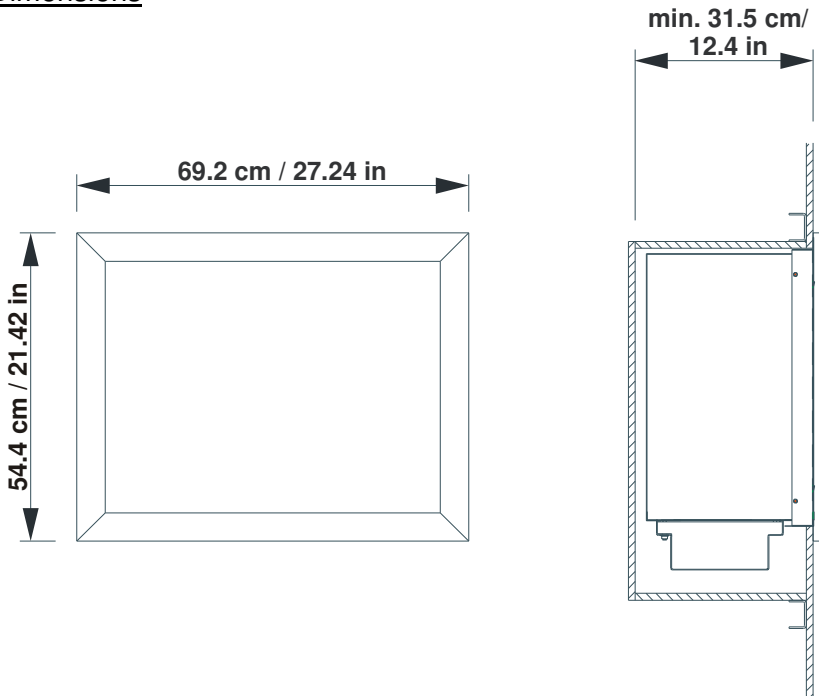
c. Material specification.



Construction materials:

- A. - internal box – stainless steel coated with powdered lacquer
- B. - outer frame – anodic aluminium,
- C. - hearth shield – stainless steel coated with powdered lacquer,
- D. - hearth – stainless steel, acid and heat proof coated.

d. Dimensions



2. Safety

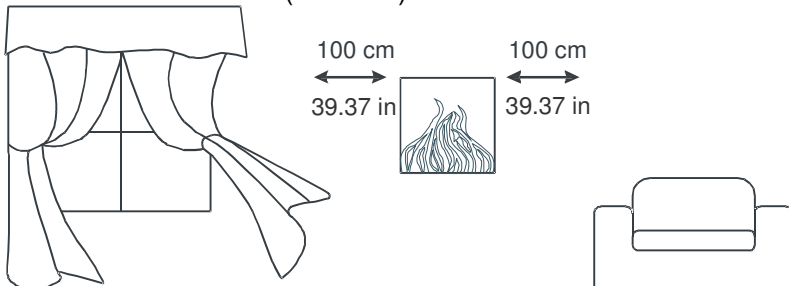
This section provides information for the responsible use of the Planika Fire PF-01.

By complying with the following safety recommendations, you will avoid damaging the product as well as creating potentially hazardous situations which may result in bodily injuries.

To ensure the safe and appropriate use of the Planika Fire, you must proceed according to the following guidelines:

Before assembling your Planika Fire PF-01, select its location taking into consideration the following rules:

- Do not expose to outdoor conditions. This Product is for indoor use only.
- Do not use the product in a room of an area below $24\text{m}^2 / 258.33\text{ft}^2$ (or approximately $63\text{m}^3 / 2224.82\text{ft}^3$).
- There should be adequate natural ventilation in the room where the Planika Fire will be used. If required increase the ventilation by opening a window or door.
- Do not allow children to light the Planika Fire.
- Do not place the Planika Fire in draughty areas, close to fans or any other ventilating devices.
- Do not place the product in places where potentially explosive or combustible particles may be present in the atmosphere – for example lacquer fumes, industrial dust etc.
- Do not use faulty or damaged parts of the Planika Fire.
- Due to high surface temperatures, keep children, pets, clothing, and furniture away. The appliance is hot while in operation and contact with it may cause skin burns
- Do not place any inflammable materials such as curtains, blinds etc. within a 100 centimeter (39.37 in) radius of the Planika Fire.



- Do not move the Planika Fire whilst still hot or warm. Moving should only be attempted after burning the liquid completely and the fireplace has cooled.
- Do not leave a burning Planika Fire without adult supervision.
- Do not try to repair or alter the construction of the Planika Fire.

Use FANOLA® - clean burning & odorless liquid recommended by the manufacturer

- Using any other liquids or fuels may result in the emission of a variety of gases during the burning process, which may have negative effects on the health.
- The FANOLA® liquid is poisonous and must not be consumed.
- Store the liquid in a safe place out of reach of children, pets and any unauthorized persons.
- **Do not pour FANOLA® or any other liquids or fuels into the reservoir during the burning process.**

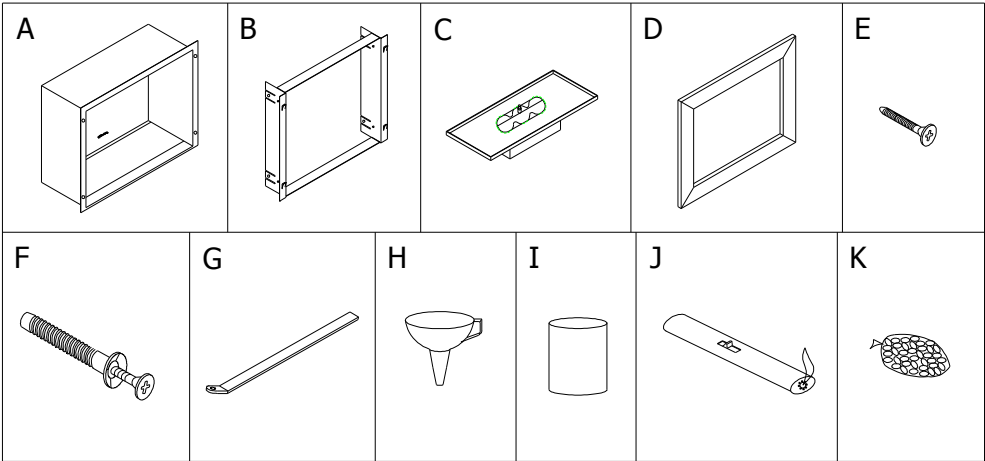


- Only use the liquid designed for this type of Planika Fire.
- Do not place anything inside the fireplace which has not been supplied by the Manufacturer.
- Only use the Planika Fire accessories provided by the Manufacturer and in accordance with the manual instructions.
- Do not touch heated elements of the Planika Fire.
- Do not cover the Planika Fire, or the ventilation slots etc. as it may cause a fire.

3. Installation

Before assembling the product read Section 2 of this handbook (Safety). To ensure proper assembly and installation please proceed as follows:

3.1. Unpack the product and remove all parts from the packaging.



| Designation | Name | Quantity | Use |
|-------------|-------------------|----------|-----------------------|
| A | Hearth shield | 1 | Construction elements |
| B | Safety frame | 1 | |
| C | Hearh | 1 | |
| D | Decorative frame | 1 | |
| E | Screw | 4 | |
| F | Stud | 4 | |
| G | Metal tool | 1 | Usage elements |
| H | Funnel | 1 | |
| I | Measure cup | 1 | |
| J | Lighter | 1 | |
| K | Decorative stones | 3 | |

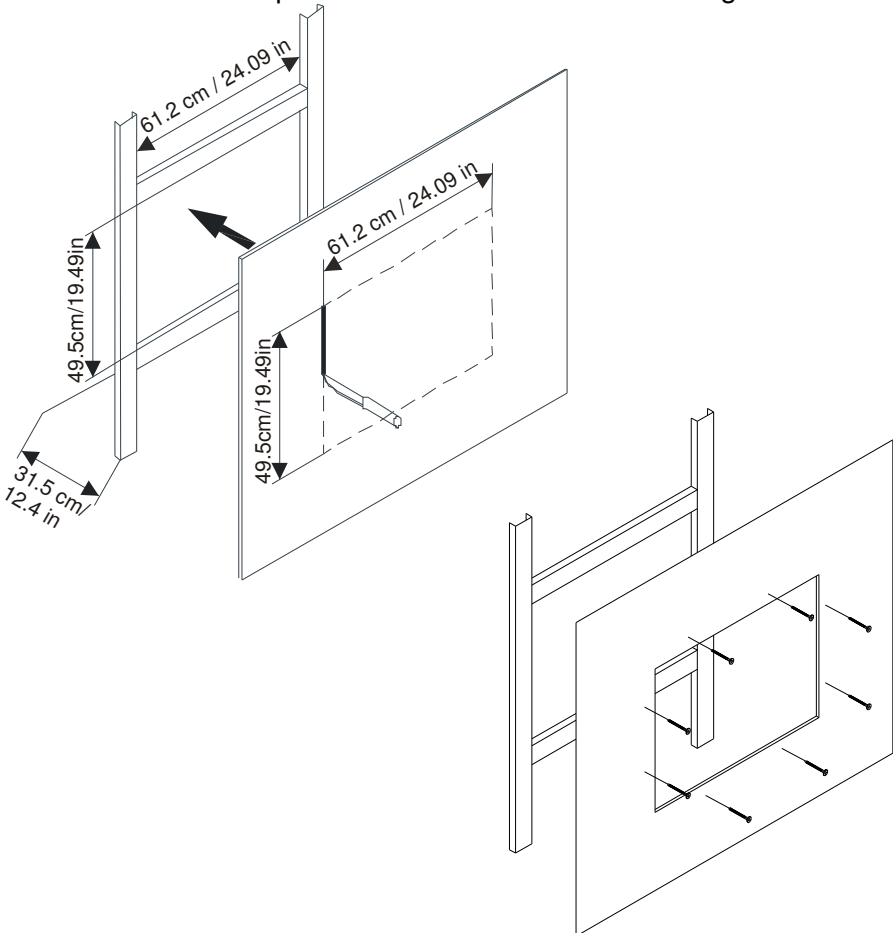
- 3.2. Choose a suitable location as discussed in Section 2.
- 3.3. Prepare the place – the opening to built-in. To install the product in a plasterboard wall – see section 3.4. To install the product in a wall made of brick, concrete and similar materials - see section 3.5.

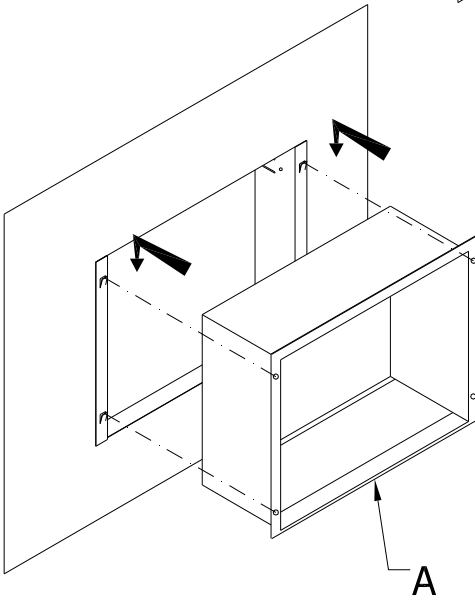
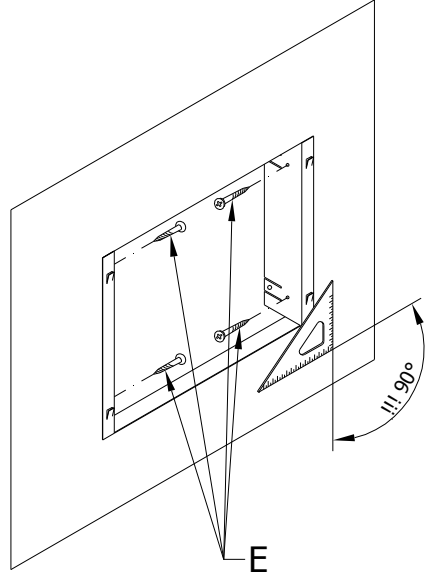
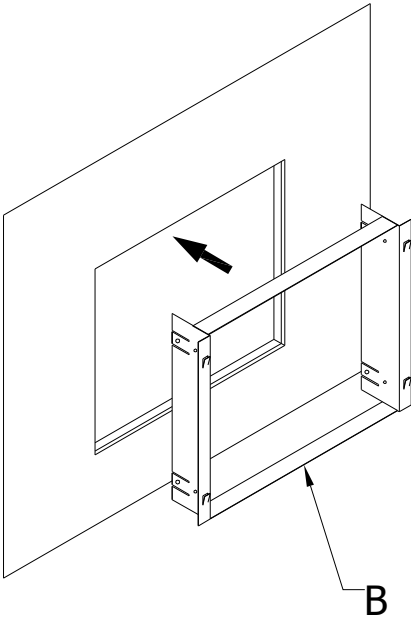
CAUTION:

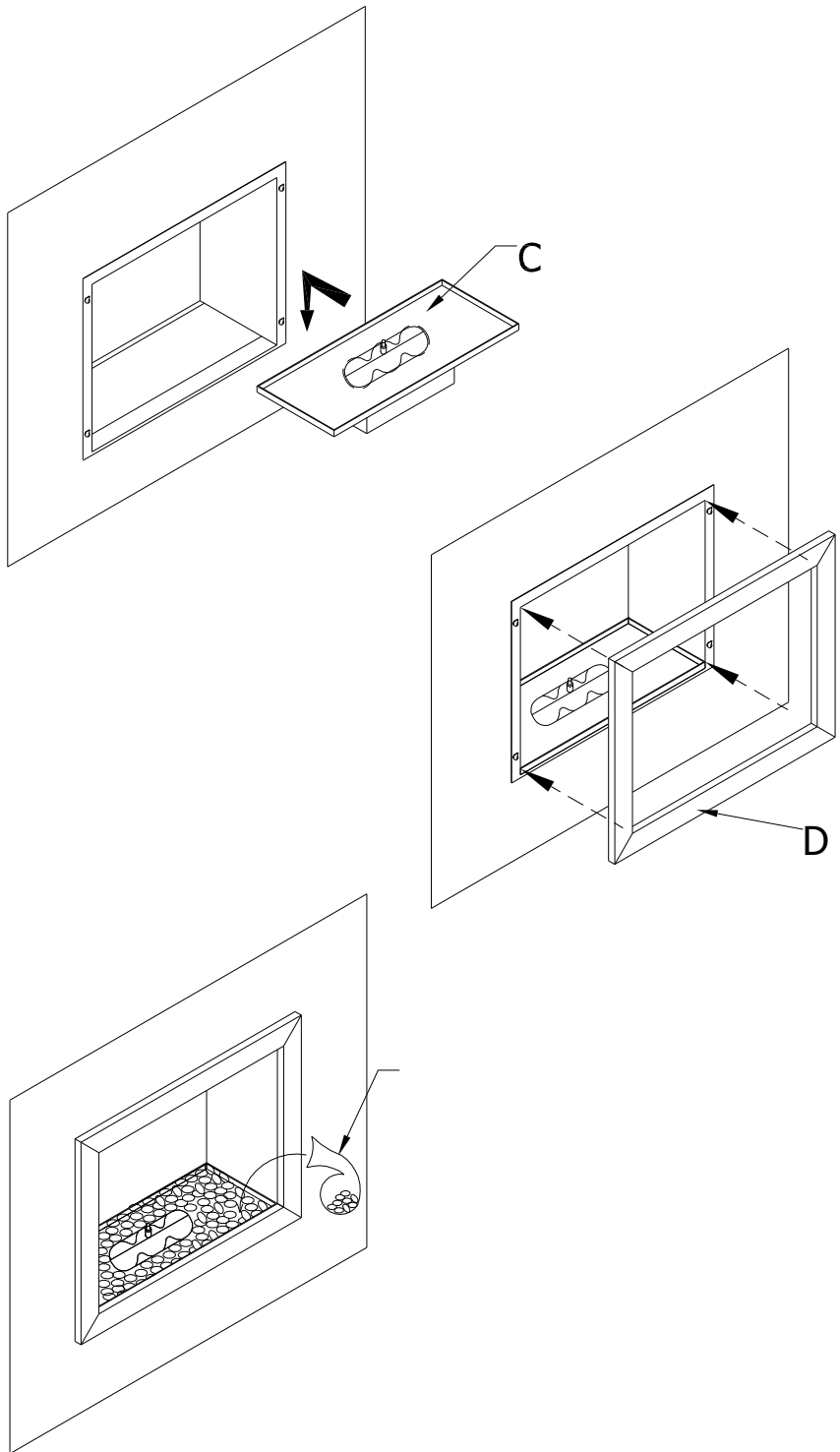
During the burning process, the reservoir heats up to high temperatures. Place the reservoir in a properly prepared place on a plate with an appropriate opening, made of the inflammable materials such as: marble, granite, ceramics, tempered glass, plasterboard.

None of the reservoir elements should touch directly the materials prone to the high temperatures.

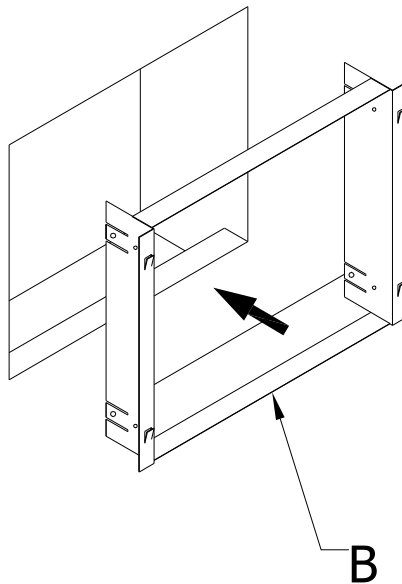
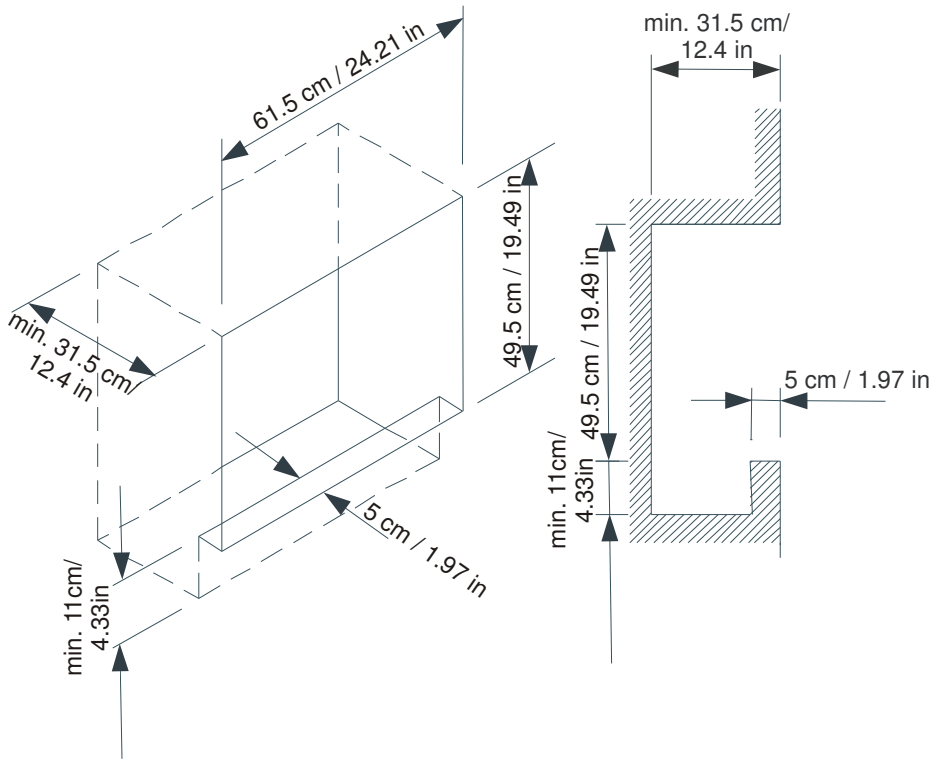
- 3.4. Installation in a plasterboard wall – see the drawings below.

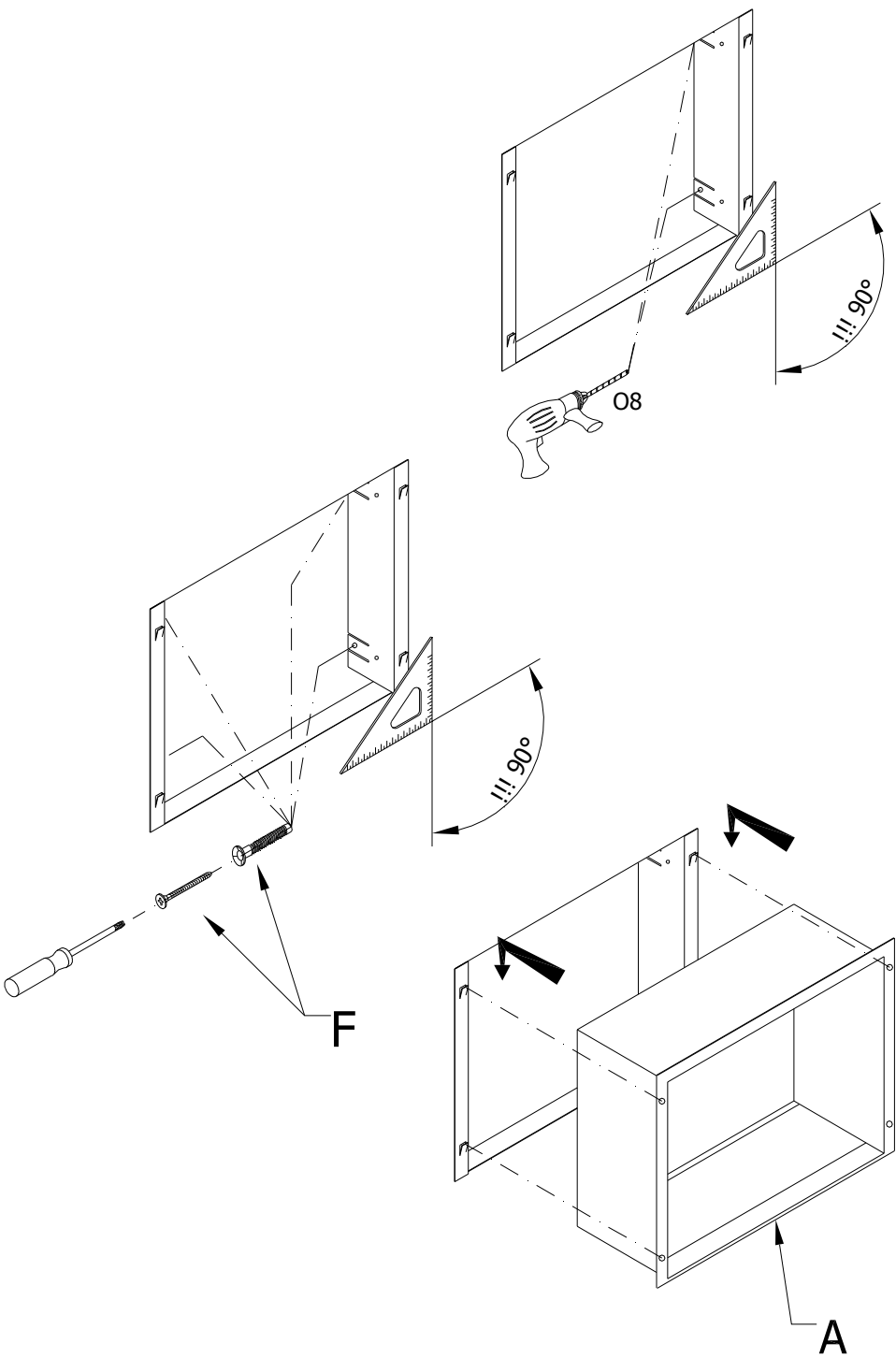


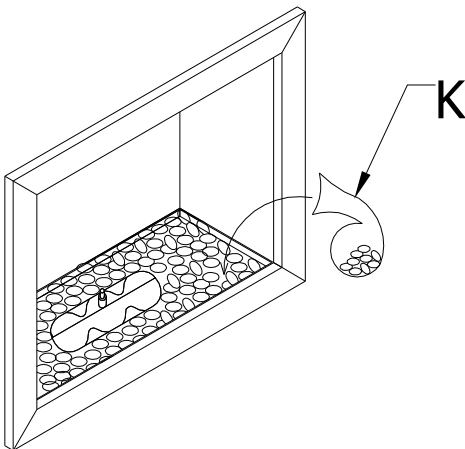
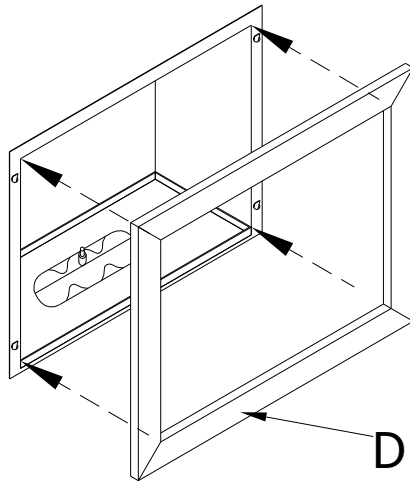
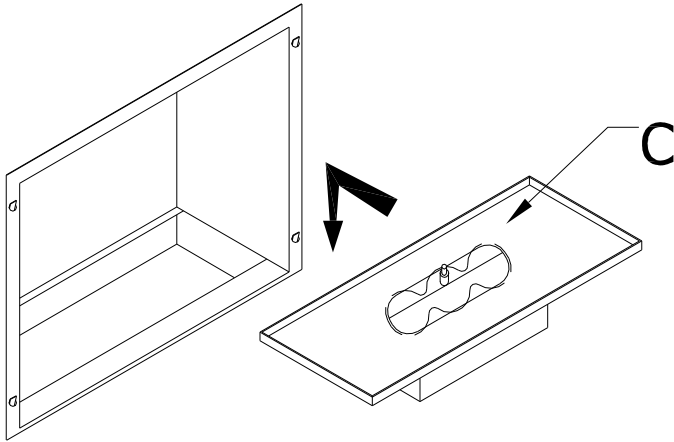




3.5. Installation in a wall made of brick or concrete – see the drawing below.







4. Operating Instructions

Before starting the Planika Fire PF-01, read section 2 of this handbook.

- 4.1. Using the funnel (H) supplied, pour 4 measuring cups (l) of the FANOLA ® liquid into the reservoir.

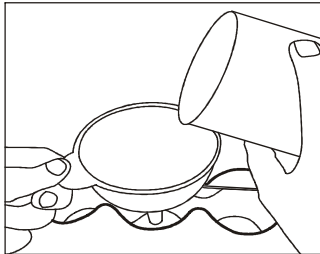
CAUTION!

Do pour the additional liquid into the reservoir during use as it may cause a fire and burns.

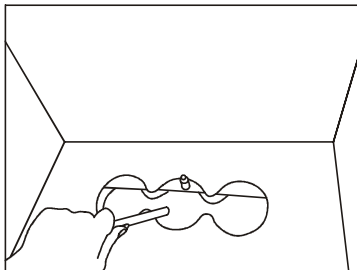


BEFORE REFILLING THE RESERVOIR YOU SHOULD WAIT UNTIL THE RESERVOIR HAS COOLED DOWN – 20 MINUTES APPROXIMATELY

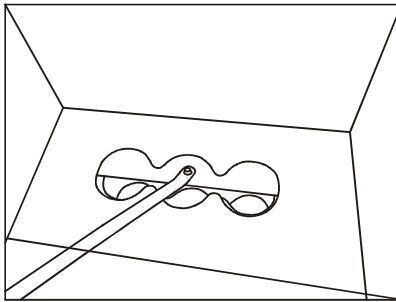
- 4.2 Be very careful not to spill the liquid outside the reservoir. If liquid is spilt outside the reservoir, dry the affected components before igniting the flame.



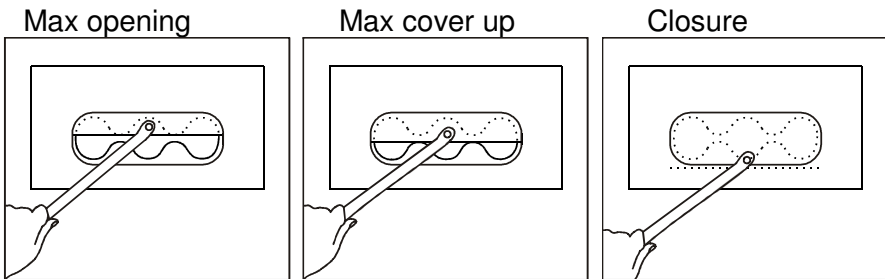
- 4.3. Using the lighter supplied (J), ignite the liquid in the reservoir by bringing the flame close to the surface of FANOLA®.



4.4 After a few moments you can adjust the flame size by altering the reservoir shutter using the supplied metal tool (G).



4.5. Regulate the size of the flame by altering the shutter in a range between maximal opening and the position presented in the drawing below. The opening range has been set for optimal combustion. Therefore this operating range should not be exceeded except when wanting to extinguish the flame which is achieved by closing the shutter completely.



Closing the reservoir shutter completely will cause the flame to be extinguished.

CAUTION!

Refilling the reservoir is possible only after the liquid is burnt completely. Before refilling the reservoir you should wait until the reservoir has cooled down – 20 minutes approximately

5. Cleaning and Maintenance

The PF-01 does not need any particular maintenance except general cleaning. To clean the casing use a soft, moist cloth. A delicate cleaning agent (suitable for furniture) may be used if required.

6. Additional information

a. Technical data:

- | | |
|-----------------------------|--|
| • Type | Planika Fire |
| • Model | PF-01 |
| • Liquid container capacity | 2l |
| • Min. room area | 24m ² / 258.33ft ² * |
| • Recommended liquid | FANOLA® |
| • Producer | PLANIKA Sp. z o.o. |

* - Room height h=2.6m / 8.53ft, air circulation multiplicity in the room 1/h

b. Utilization and recycling

Product is composed of stainless steel and other materials. In case of necessity of disposal of the product:

- Act accordingly to the utilization and recycling regulations of your country.
- Dispose of fuel containers in the appropriate way.

If you have any technical problems or any other questions, please contact your dealer.

You will find the newest information about our product, advice, updates and other useful data on our web site: www.planikafires.com